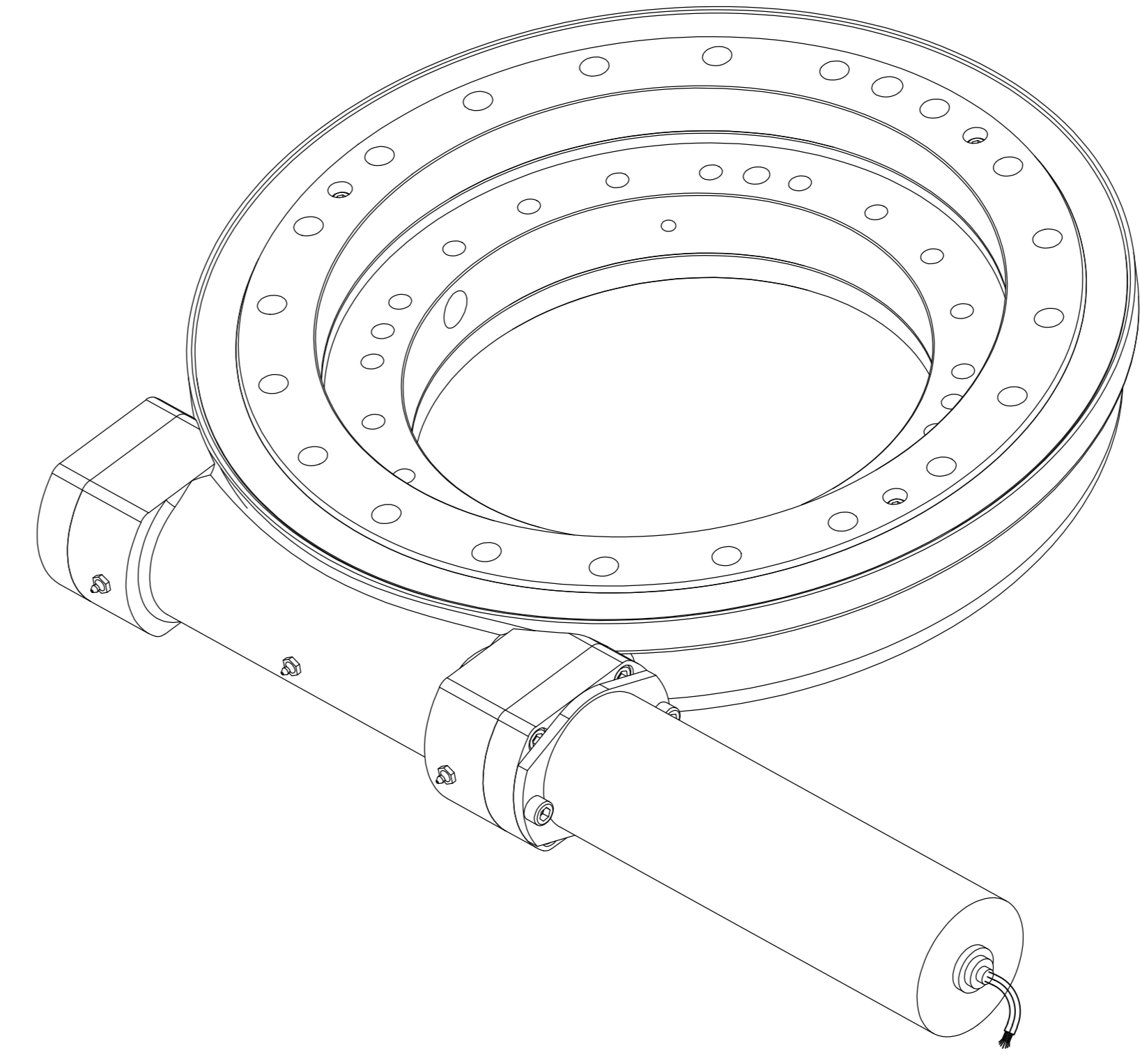
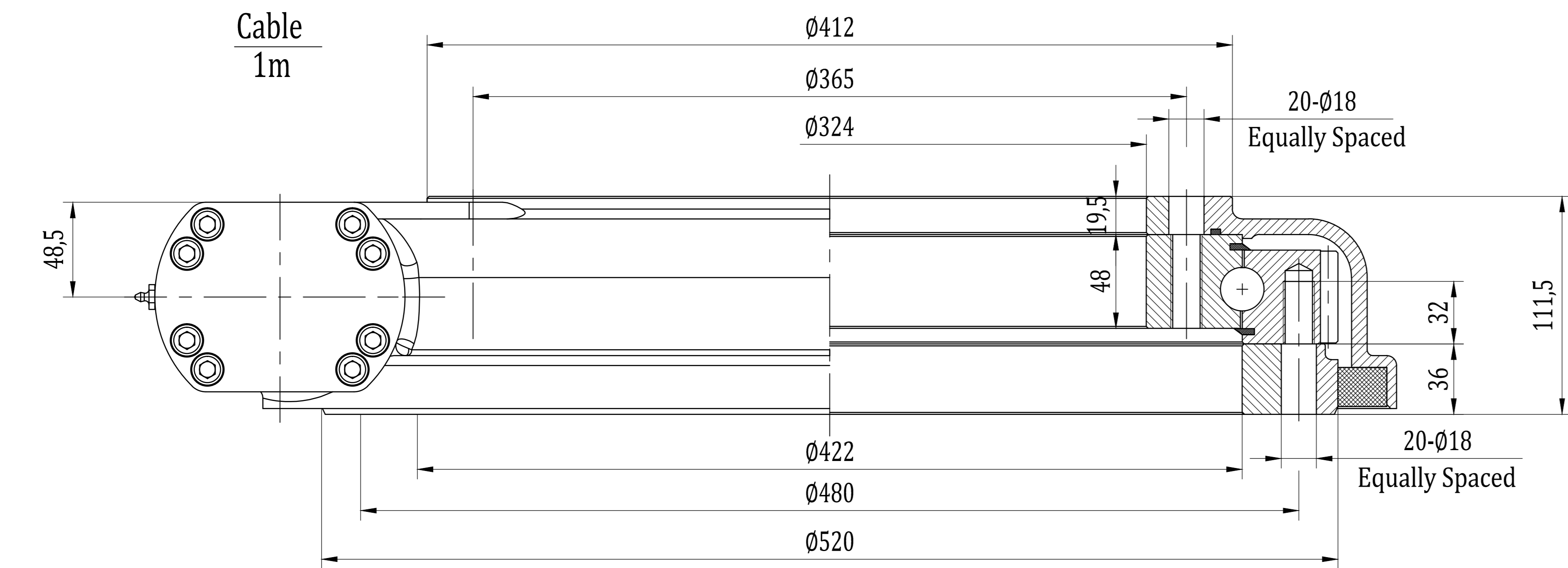
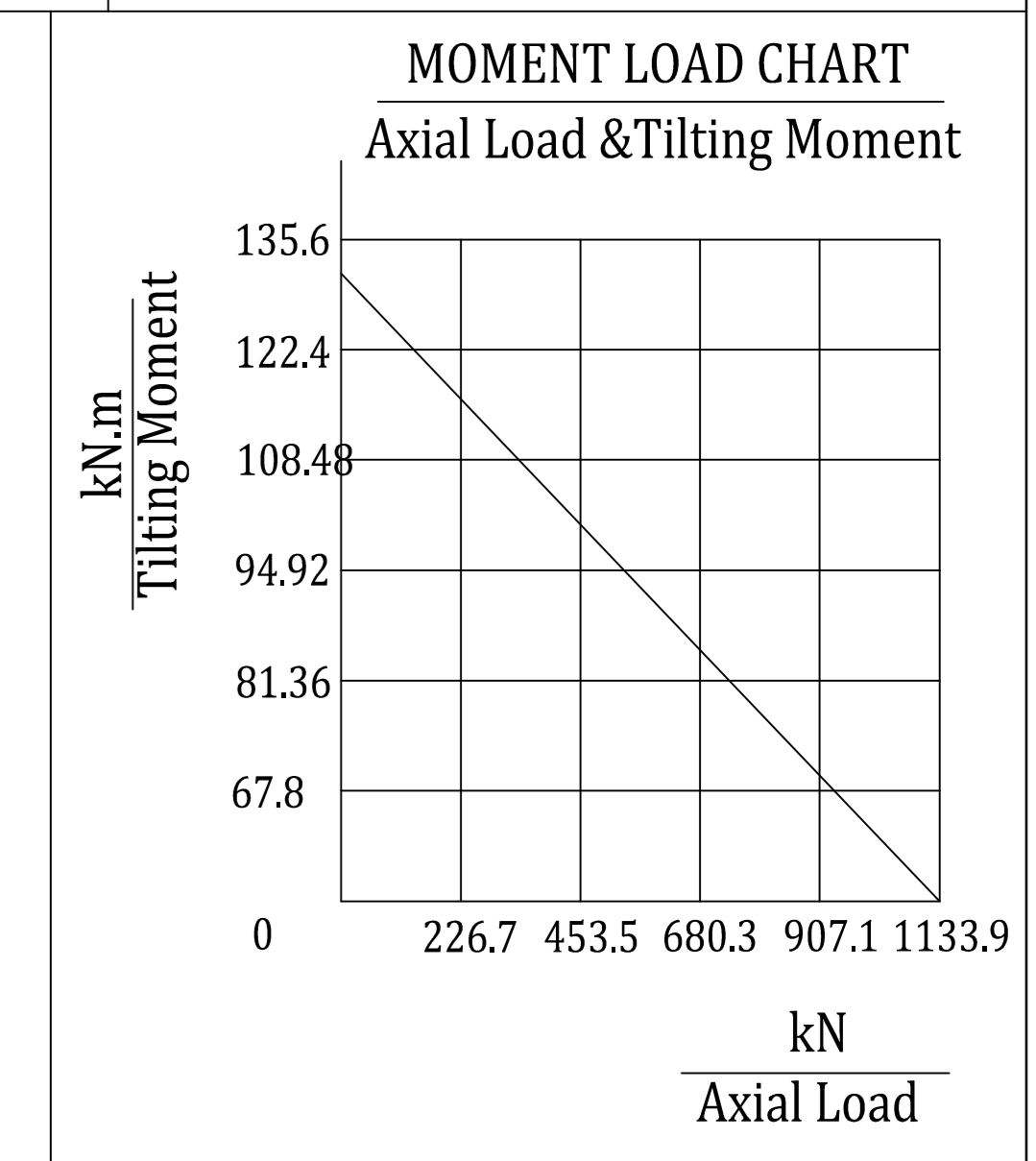



Wire Define:
 Pin 1 (Black) motor -
 Pin 2 (Red) motor +



Slewing Drive Performance Parameters		
Rated Output Speed	0.015rpm	
Output Torque	12.24 kN.m	9.03x10 ³ lbf.ft
Tilting Moment	135.6 kN.m	100x10 ³ lbf.ft
Holding Torque	72.3 kN.m	53.3x10 ³ lbf.ft
Static Axial Load Rating	970 kN	218.3x10 ³ lbf
Static Radial Load Rating	390 kN	87.8x10 ³ lbf
Gear Ratio	102:1	
Precision	≤0.17°	
24VDC Motor Performance Data(24/15/300)		
Rated Output Torque	300 N.m	
Rated Output Speed	1.5 rpm	
IP Class	IP 65	
Rated Current	≤7.5A	



REV	DATE	REVISER	REVISER			
DESIGNED BY	2019/8/1	Li Ming	 www.coresundrive.com Coresun Drive Equipment Changzhou Co., Ltd.			
CHECKED BY	2019/8/1	Rui Wang				
APPROVED BY	2019/8/1	Shane Zhang				
ALL PROPRIETARY RIGHTS IN THE SUBJECT MATTER HERE OF ARE RESERVED, AND NO PERMISSION IS GRANTED OR TO DISCLOSE REPRODUCE THIS PRINT IN WHOLE OR IN PART, ANY OF THE INFORMATION TO OTHERS.			WEIGHT	SCALE	Slewing Drive SC17-102-RC-2415300	REV
			98 kg	1 : 4		A
			SIZE	A3		
SYMBOLS ISO					SHEET	1 / 1